

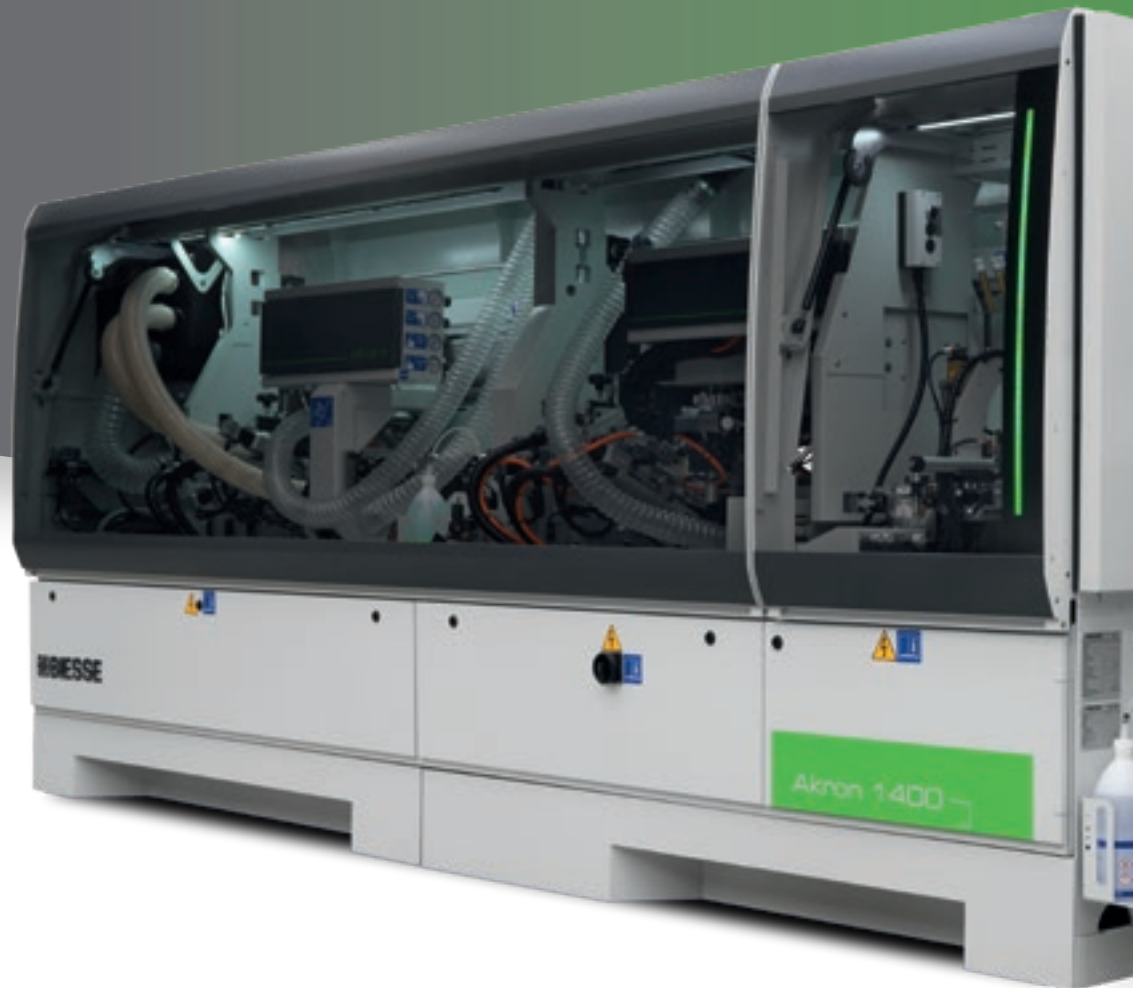
AK RON 1400

AUTOMATIC SINGLE-SIDED
EDGEBANDING MACHINES



 **BIESSE**

THE IDEAL SOLUTION FOR INCREASING PRODUCTION



THE MARKET DEMANDS

a change in manufacturing processes, enabling companies to **accept the largest possible number of orders**. This is coupled with the need to maintain **high quality standards** while offering product customization with **quick and defined delivery times**, as well as responding to the needs of highly creative designers.

BIESSE RESPONDS

with **technological solutions** which underline and support technical expertise, as well as process and material knowledge. The **Akron 1400** is a range of single-sided edgebanding machines for the application of edging in either rolls or strips. Compact working units designed to simplify the preparation operations are available with various configurations to suit specific production requirements.



AKRON 1400



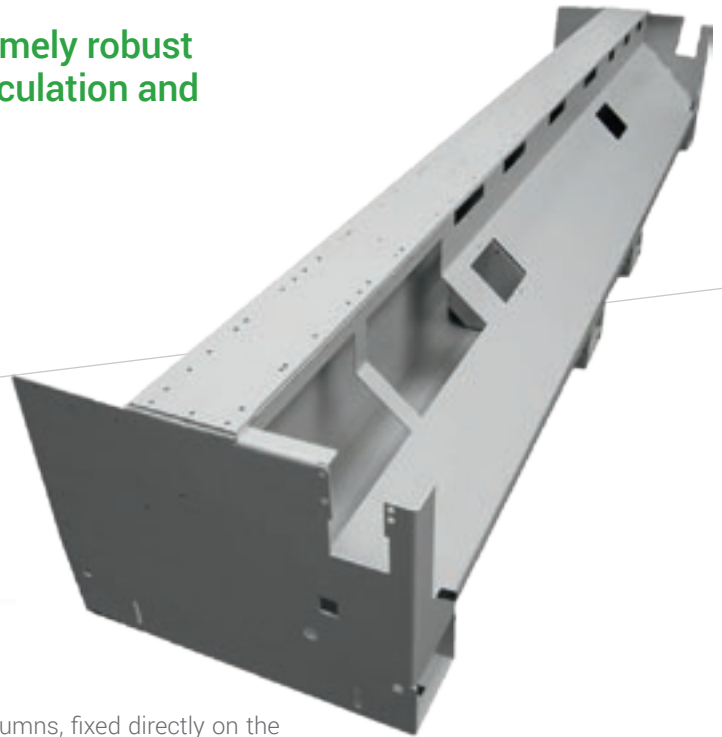
WATCH THE VIDEO

- ✔ BUILT ACCORDING TO THE SPECIFIC PRODUCTION REQUIREMENTS
- ✔ GROUND-BREAKING TECHNOLOGY, FOR TOP PERFORMANCE
- ✔ PERFECT FINISHES WITH EVERY TYPE OF PROCESS
- ✔ TOP QUALITY FINISHED PRODUCT

AT THE HEART OF QUALITY

The structure of the machine is extremely robust and rigid, sized with cutting-edge calculation and design tools.

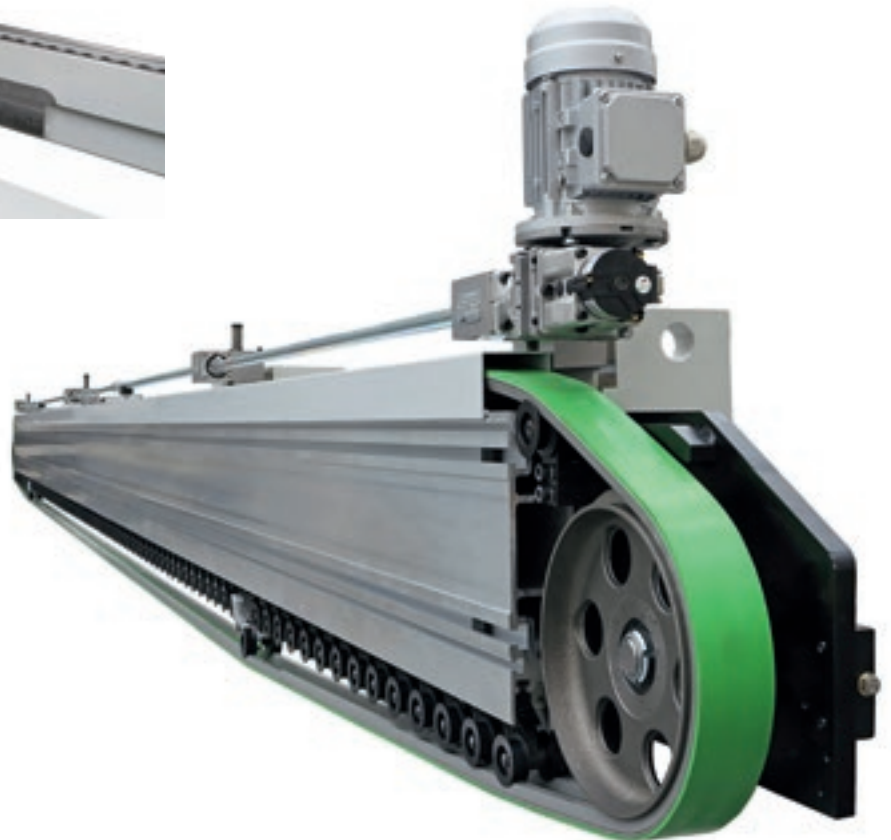
The **monolithic base** provides high stability and allows the machine to operate also over several work shifts while continuing to deliver high quality standards.



The sturdy columns, fixed directly on the base, fully absorb all vibrations generated during machining.



The **Belt Presser**, which is standard in the Akron 1400, allows the panel to run on the belt guaranteeing uniform pressure which is ideal even for more delicate coverings (opt only on Akron 1440 and 1445).



HIGH FINISH QUALITY



Perfect finish, due to the 2-motor Pre-milling unit with automatic intervention.

HSD
MECHATRONICS



Rotax
electrospindle

As standard, Akron uses only the electrospindles of the exclusive Rotax range on all the machines. These are electrospindles of the highest quality, designed and made by HSD (a leader in this sector); they guarantee optimum power, compact dimensions, and extremely high finishing standards.



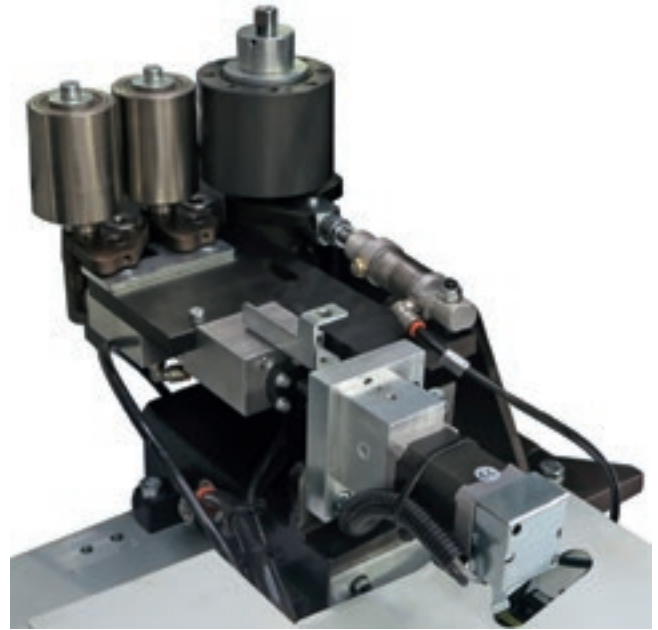
The **Pre-milling Autoset** device for the automatic centring of the tool on the panel improves quality whilst reducing set-up times.



APPLICATION OF EDGEBANDING OF ANY SIZE



Gluing unit for the automatic application of edging in rolls or strips, from 0.4 to 12mm.



Device for setting the unit automatically, to suit the edging thickness (opt.).

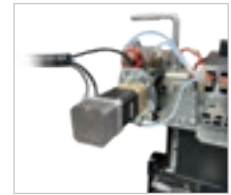
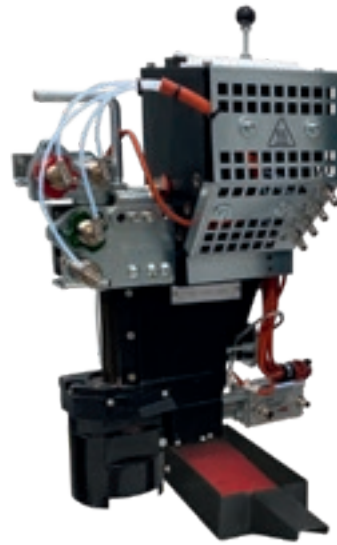


Single-roll automatic loader, enables rapid change of the edging strip with no need to open the cabins.
Optic sensor for detecting the correct positioning of the edging strip (opt.).



Glue pot

The **glue pot** is equipped with a pre-copying system to prevent direct contact between the roller and the panel, preserving the surface quality of the machined panel whilst allowing for a smooth and even application of glue, without wear to the glue pot.



New hybrid glue head for using EVA and PUR

- One single glue head that can work with both EVA and PUR in granules.
- High flexibility thanks to the automatic system that drains the glue from below.
- Automatic roller cleaning cycle on the basis of the panel length.
- CN axis for glue quantity adjustment (optional).
- Glue level sensor, Pop up alert in the screen when the glue is finishing.



Pre-melter for EVA glue

To meet all the priority machining needs:

- more glue available
- easy control of the glue level.



Prefusore Top Melt TM10

New system for melting polyurethane glue from above.

- High flexibility of use thanks to small cartridge size.
- PUR glue on demand, according to the amount of glue used.
- Hermetically sealed system for extended glue life.



gPoD pre-melter with "PUR on demand" function for polyurethane glue

to satisfy even the most complex machining requirements thanks to its excellent melting capacity.

AIR FORCE SYSTEM

INVISIBLE EDGE BANDING

No joints and no glue line, in perfect harmony with the panel.

Air Force System, available on Biesse edgebanding machines, is based on the physical principle of convection. By using a compressed hot air system, the edge bonds perfectly with the panel guaranteeing resistance to water and heat and an excellent long lasting quality finish.



MAXIMUM WORKING PRECISION

Maximum cutting quality and precision thanks to the End Trimming Unit, enabling any excess to be eliminated at both ends of the panel. Two versions available according to the machining needs.

IN801

The edge trimming unit, on its THK double guide rail, guarantees optimal vibration absorption.



The IN801 unit includes, as standards:

- ✔ the dynamic suctioning system that follows the blades' every move
- ✔ automatic blade tilting
- ✔ copying system suitable for processing hinge holes



Unique innovations in this machine price range to meet productivity and quality requirements of the most demanding manufacturers.



The copying and tracing system guarantees optimal finish quality also on high-gloss edges.

IT 70 S
Linear end trimmer for a perfect finish in any type of processing.



IDENTITY



PRACTICAL DESIGN

An innovative yet simple design is the hallmark of Biesse's distinctive identity.

The transparent polycarbonate reinforced protection door is designed to guarantee maximum visibility for the operator. Fitted with 5-colour LEDs indicating machine status, it ensures that processing phases can be easily monitored.



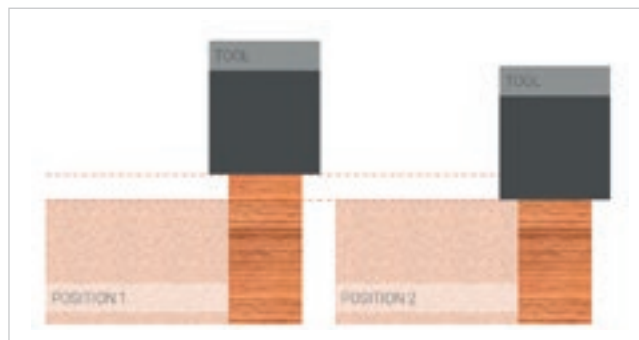
MAXIMUM VISIBILITY OF MACHINING OPERATION



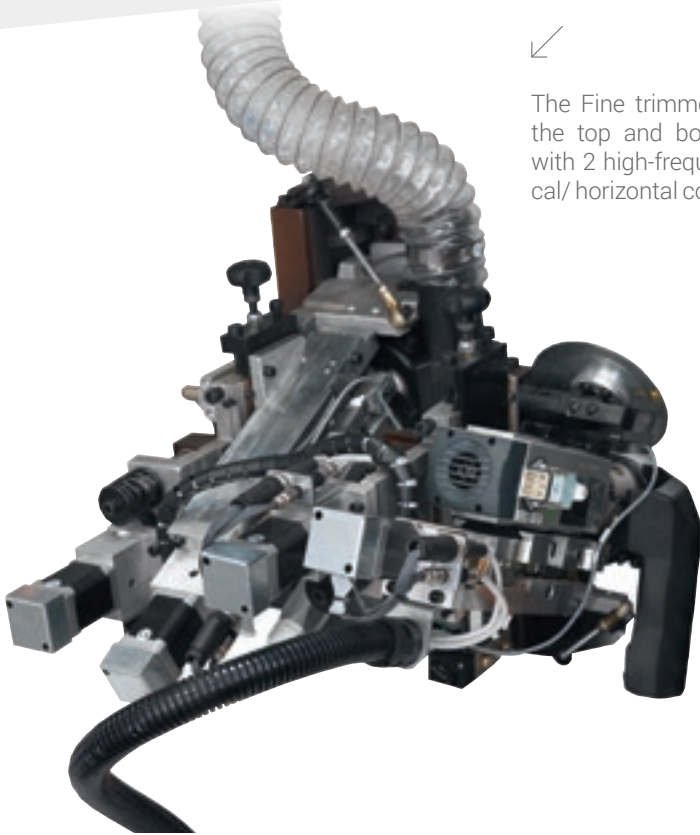
A specific Research & Development team creates pioneering solutions to meet market requirements and offer cutting edge technology that is reliable and guarantees first-class results.

The Rough Trimmer reduces the excess edge on the top and bottom of the panel. It guarantees a perfect finish for solid wood, in one single movement (opt).

Duo System is a device for the automatic changeover between the rough-shaping and finishing functions.



Akron 1400 offers personalized solutions that enable a reduction of set-up and machining times.



The Fine trimmer, for fine trimming of the top and bottom edges. Complete with 2 high-frequency motors and vertical/ horizontal copiers with rotating disc.



Multi-profile tools for various types of edgebanding strip.



RI501
The Fine trimmer on column mounted on base.

SERVO AXES

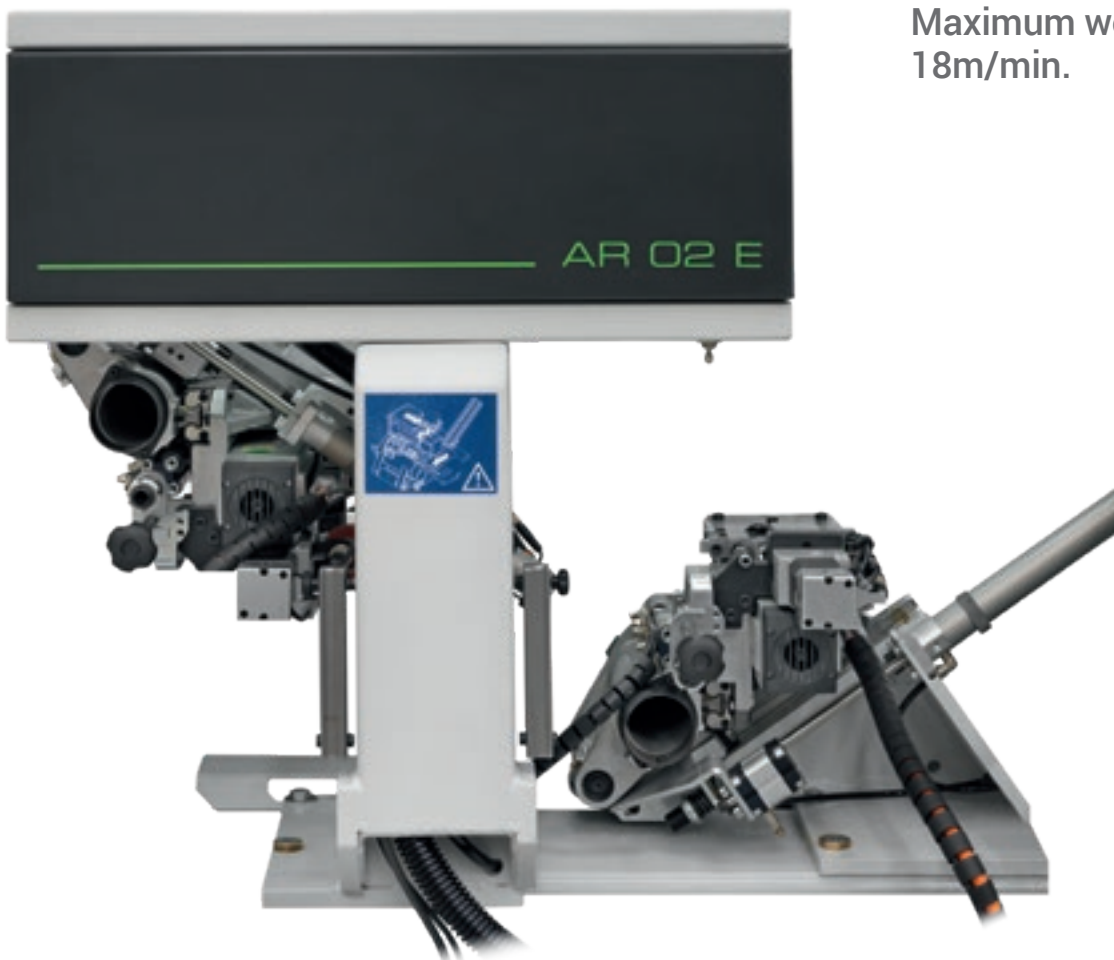
TOP QUALITY CHARACTER

Unprecedented product quality and reduced machining times, thanks to technological solutions created for the specific day-to-day work.

The automatic axis of the working units have a reading system that allows the machine to know - at any time - if the setting is correct. They are fitted with motors with a positioning tolerance of 0.01 mm, for optimum machining accuracy. Their compact size considerably extends their range of application. Changeover time reduced by 75%



PERFECT FINISHES THROUGHOUT THE ENTIRE PROCESS



Maximum working speed
18m/min.



The Multi-purpose corner rounding station with dual motors, forms a radius on both the front/rear and top/bottom edges.

Linear guides for precise movements and high quality standards.



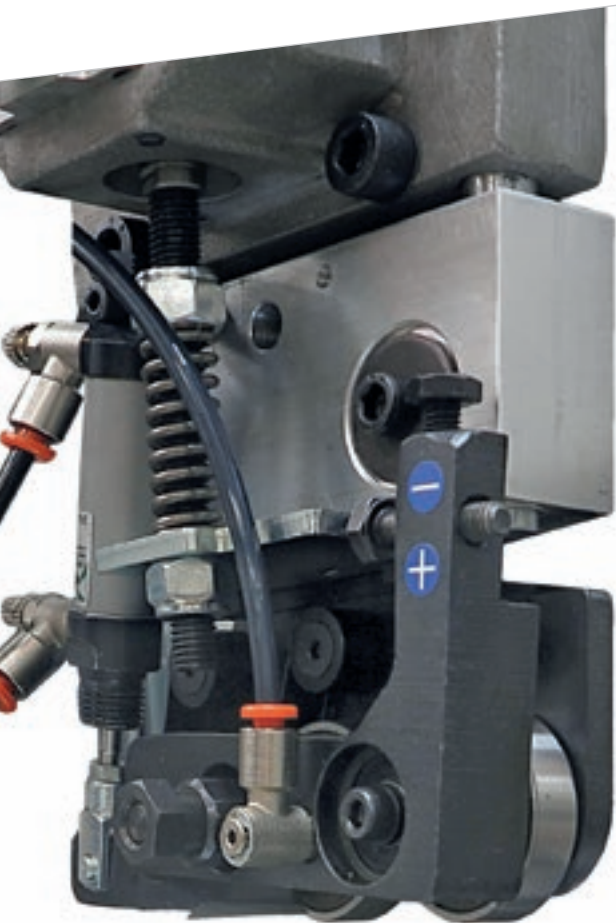
The **Edge scraper** eliminates the imperfections resulting from previous machining operations on the top and bottom of the edge.

The axes on the edge-scraper unit enable automatic positioning in an unlimited range of positions, in accordance with the thickness of the edgelanding strip (opt.).



The **Grooving unit** can be tilted from 0 to 90°. It produces grooves and milling on the underside on the edge of the panel.

ULTIMATE RESULTS FOR FINISHED PRODUCTS



Buffing unit to clean and polish the edge and the panel.



Hot air blower for reactivating the color of the edges.



High quality results even with **high-gloss edged panels** with protective film.

TECHNOLOGY AT THE USER'S SERVICE



Advanced Statistics for monitoring productivity:

- ▶ Different types of charts available to understand and improve edgebanding machine performance
- ▶ Sub-division of the production statistics on the basis of the batch or the time gap
- ▶ Mobile app for keeping in contact with the machine status at all times.



New SMART TOUCH 23" control

Immediate, user-friendly programming thanks to the touch-screen control panel.

MADE WITH BIESSE

BIESSE TECHNOLOGY ACCOMPANIES THE GROWTH OF STECHERT

"On these chairs sits the world" is the motto of the Stechert Group that can effectively be taken literally. What began 60 years ago as a small manufacturing company for pram mouldings, furniture doors and door locks is today one of the largest international suppliers of contract and office chairs, as well as tubular steel furniture. Moreover, since 2011 the company has a partnership with WRK GmbH, an international specialist in podiums, conference room and grandstand seating, associated with Stechert via the joint commercial company STW. For Stechert management, however, the excellent results obtained are no excuse for resting on their laurels. On the contrary, the company is investing heavily in the Trautskirchen site to make its production even more efficient and profitable. In the search for a new machinery partner, the company's management chose the Italian manufacturer Biesse. "For the project we chose machines that already had certain options and were predisposed for automation", said Roland Palm, Biesse Area Manager. An efficient pro-

duction cycle was created in which workers are able to perform at their best after only a short training period. At the start of the production line is the panel saw "WNT 710" with one cutting line. "Because", explained skilled cabinet maker Martin Rauscher, "we want to be able to work panels of up to 5.90 metres in order to reduce waste as much as possible." Normal rectangular panels for tables or wall panels are taken directly to the "Stream" edgebander with "AirForceSystem" technology. The Biesse edgebander has a group that activates the laminated edging material no longer via a laser beam but using hot air to obtain the so-called "zero gap". "The quality is just as good as the laser system, if not even better: with a connection power of 7.5 kW, the cost per square metre is much lower", underlined the Biesse Area Manager. "We want to be ready for when we mould the frame ourselves and we must therefore calibrate the panels" said Martin Rauscher, "The same is true of course for solid wood and multiplex panels, which require grinding before being

painted in an external company. For both types of work a Biesse "S1" sander is used. In order to meet the needs of the future, in the Trautskirchen plant there are also two Biesse numerically controlled machining centres: a "Rover C 965 Edge" and a "Rover A 1332 R", which are perfectly complementary. The Stechert Group also intends to strengthen sales of innovative solutions for interior fittings, with complete systems for walls, ceilings, floors and mezzanines. For panel sectioning, the Group has purchased a "Sektor 470". For other geometry, groove and spring machining as well as boring and surface milling, there are two Biesse machining centres, an "Arrow" for nesting applications, a "Rover B 440" and more recently a 5-axis machine, the "Rover C 940 R" machining centre in order to be able to produce, in particular, wall and ceiling panels machined in 3 dimensions.

Source: HK 2/2014

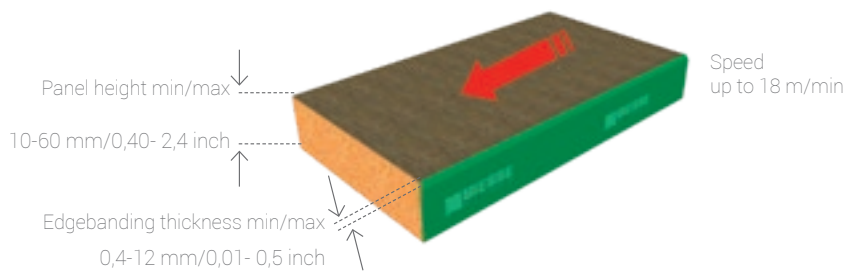


TECHNICAL SPECIFICATIONS



AKRON 1400

		L
Akron 1430	mm/inch	4460/175
Akron 1435	mm/inch	5030/198
Akron 1440	mm/inch	5474/215 - 6009/236
Akron 1445	mm/inch	5946/234 - 6450/256



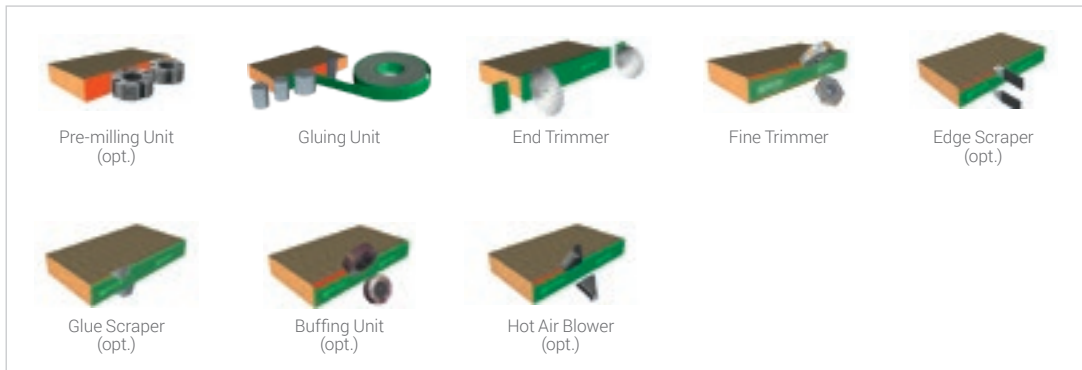
The technical specifications and drawings are non-binding. Some photos may show machines equipped with optional features. Biesse Spa reserves the right to carry out modifications without prior notice.

Weighted surface noise level A (L_{pfA}) 81,7 dB (A). Weighted noise level A (L_{WA}) 100,5 dB (A). With AFS glueing device: Weighted surface noise level A (L_{pfA}) 84,98 dB (A). Weighted noise level A (L_{WA}) 103,39 dB (A). Measurement uncertainty K = 4 dB (A).

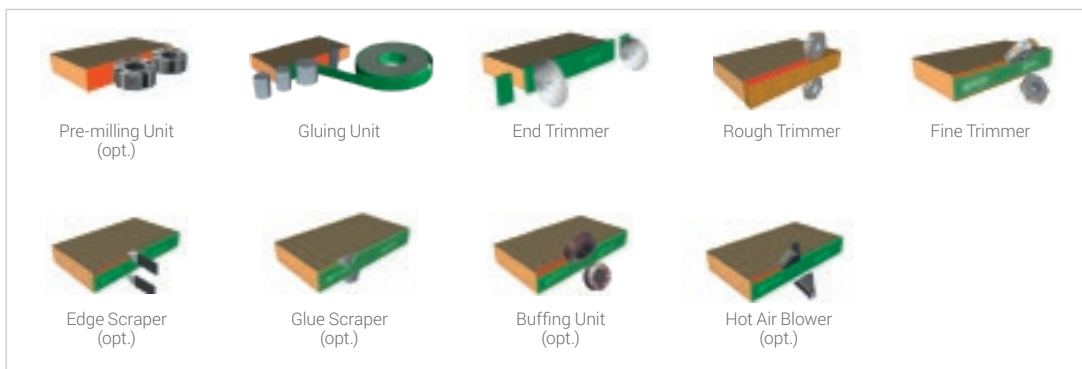
The measurement was carried out in compliance with UNI EN ISO 18217, UNI EN ISO 3746, UNI EN ISO 11202 and subsequent modifications. The noise levels shown are emission levels and do not necessarily correspond to safe operation levels. Even though there is a relation between emission levels and exposure levels, this cannot be used reliably to establish whether or not further precautions are necessary. The factors determining the actual noise levels to which the operating personnel are exposed include the length of exposure, the characteristics of the work environment, other emission sources (e.g. the number of machines and machining operations nearby). At any rate, the above information allows the operator to better evaluate dangers and risks.

AVAILABLE CONFIGURATIONS

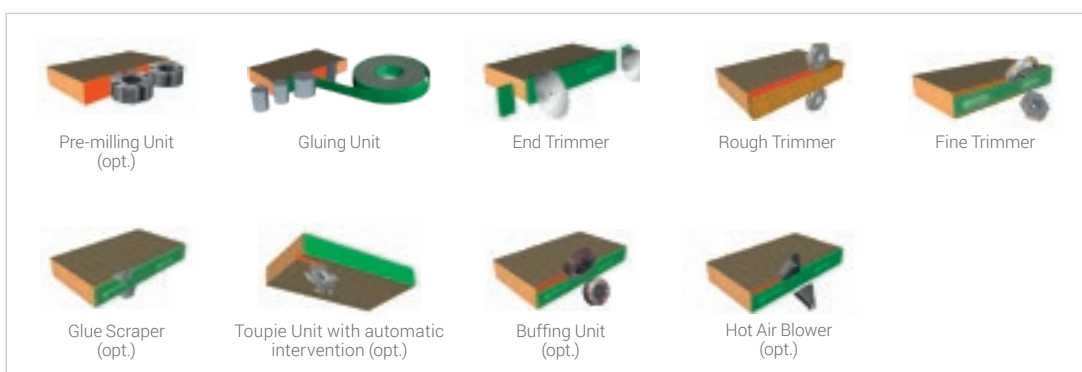
Akron 1430-A



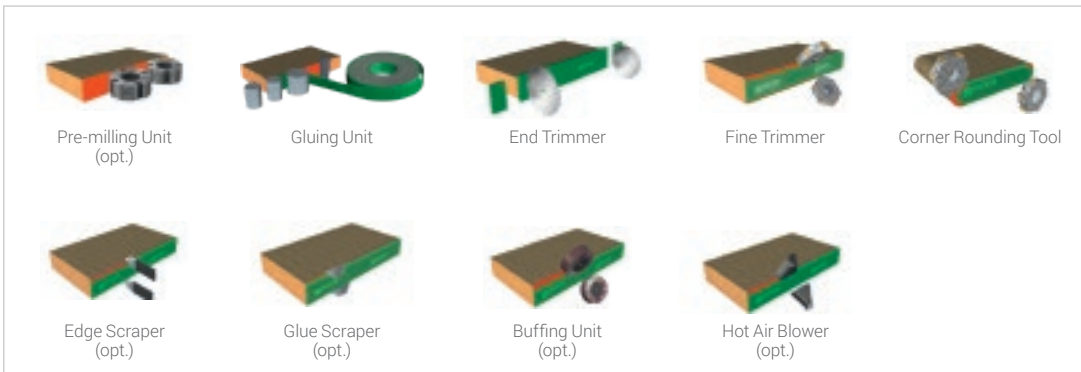
Akron 1435-A



Akron 1435-B



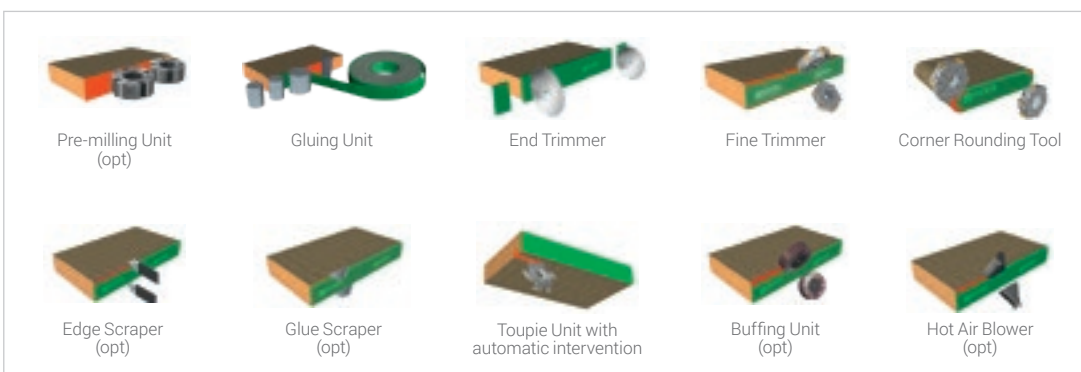
Akron 1440-A



Akron 1445-A



Akron 1445-B



SERVICE & PARTS

Direct, seamless co-ordination of service requests between Service and Parts. Support for Key Customers by dedicated Biesse personnel, either in-house and/or at the customer's site.

BIESSE SERVICE

- ✔ Machine and system installation and commissioning.
- ✔ Training centre dedicated to Biesse Field engineers, subsidiary and dealer personnel; client training directly at client's site.
- ✔ Overhaul, upgrade, repair and maintenance.
- ✔ Remote troubleshooting and diagnostics.
- ✔ Software upgrade.

500

Biesse Field engineers in Italy and worldwide.

50

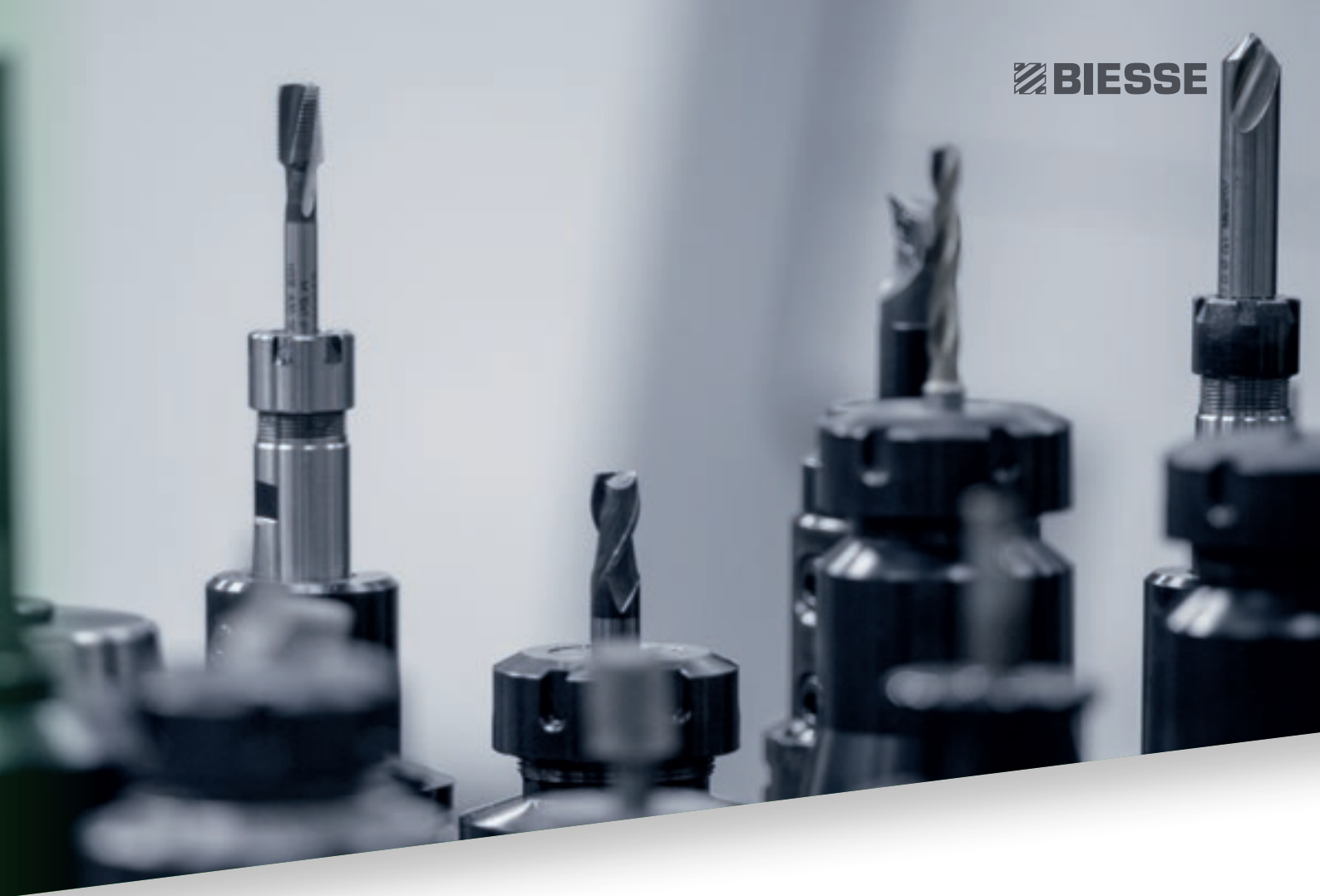
Biesse engineers manning a Teleservice Centre.

550

certified Dealer engineers.

120

training courses in a variety of languages every year.

A close-up photograph of several metal drill bits and tool components, arranged in a row. The bits are of different sizes and designs, some with standard double-flute and others with more complex, multi-fluted designs. They are set against a blurred background, highlighting their metallic texture and sharp edges.

The Biesse Group promotes, nurtures and develops close and constructive relationships with customers in order to better understand their needs and improve its products and after-sales service through two dedicated areas: Biesse Service and Biesse Parts. With its global network and highly specialized team, it offers technical service and machine/component spares anywhere in the world on-site and 24/7 on-line.

BIESSE PARTS

- ✔ Original Biesse spares and spare kits customized for different machine models.
- ✔ Spare part identification support.
- ✔ Offices of DHL, UPS and GLS logistics partners located within the Biesse spare part warehouse, with multiple daily pick-ups.
- ✔ Order fulfillment time optimized thanks to a global distribution network with de-localized, automated warehouses.

92%
of downtime machine orders fulfilled
within 24 hours.

96%
of orders delivered in full on time.

100
spare part staff in Italy and worldwide.

500
orders processed every day.

SOPHIA

GREATER VALUE FROM MACHINES



SOPHIA is the IoT platform created by Biesse in collaboration with Accenture which enables its customers to access a wide range of services to streamline and rationalise their work management processes.

It allows alerts and indicators to be sent to the customer in real time, in relation to production, the machines used and the type of process carried out. These are detailed instructions for more efficient use of the machine.

□ **10% CUT IN COSTS**

□ **50% REDUCTION
IN MACHINE DOWNTIME**

□ **10% INCREASE
IN PRODUCTIVITY**

□ **80% REDUCTION IN PROBLEM
DIAGNOSTICS TIME**

**SOPHIA TAKES THE INTERACTION BETWEEN
CUSTOMER AND SERVICE TO A HIGHER LEVEL.**

iOT
SOPHIA

IoT - SOPHIA provides a comprehensive overview of the specific machine performance features, with remote diagnostics, machine stoppage analysis and fault prevention. The service includes a continuous connection with the control centre, the option of calling for assistance from within the customer app (such calls are managed as priorities), and an inspection visit for diagnostic and performance testing within the warranty period. Through SOPHIA, the customer receives priority technical assistance.

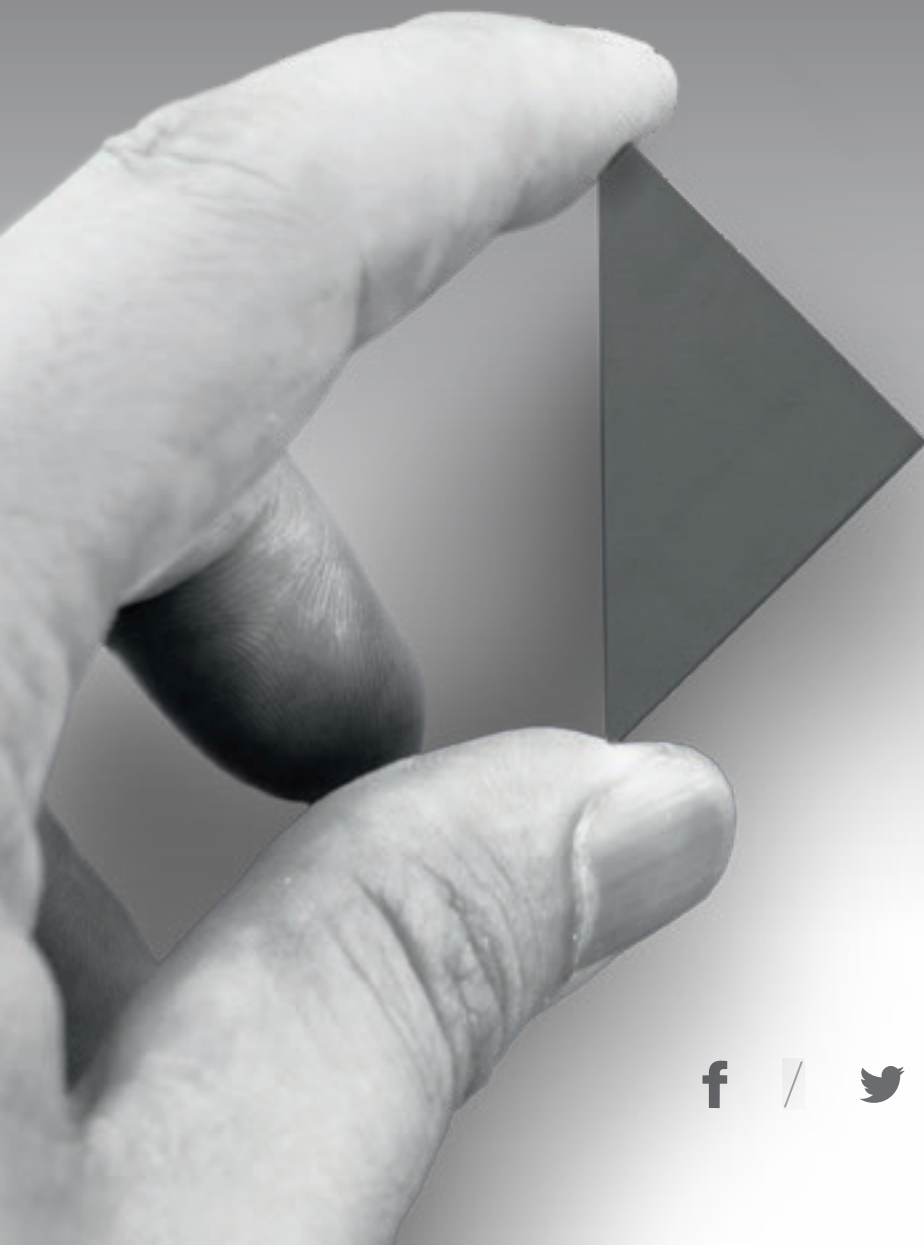
PARTS
SOPHIA

PARTS SOPHIA is the easy new, user-friendly and personalised tool for ordering Biesse spare parts. The portal offers customers, dealers and branches the chance to navigate within a personalised account, consult the constantly updated documentation of the machines purchased, and create a spare parts purchase basket indicating the real time availability in the warehouse and the relative price list. In addition, the progress of the order can be monitored at all times.

 **BIESSE**

in collaboration with  **accenture**

LIVE THE EXPERIENC



BIESSEGROUP.COM

E



Interconnected technologies and advanced services that maximise efficiency and productivity, generating new skills to serve better our customer.

LIVE THE BIESSE GROUP EXPERIENCE AT OUR CAMPUSES ACROSS THE WORLD

 **BIESSEGROUP**

